

# 1-142 Quarter-Turn with T-Handle Pr20.1 L18

Hand operable with key or tool, IP65, Optional pre-assembly

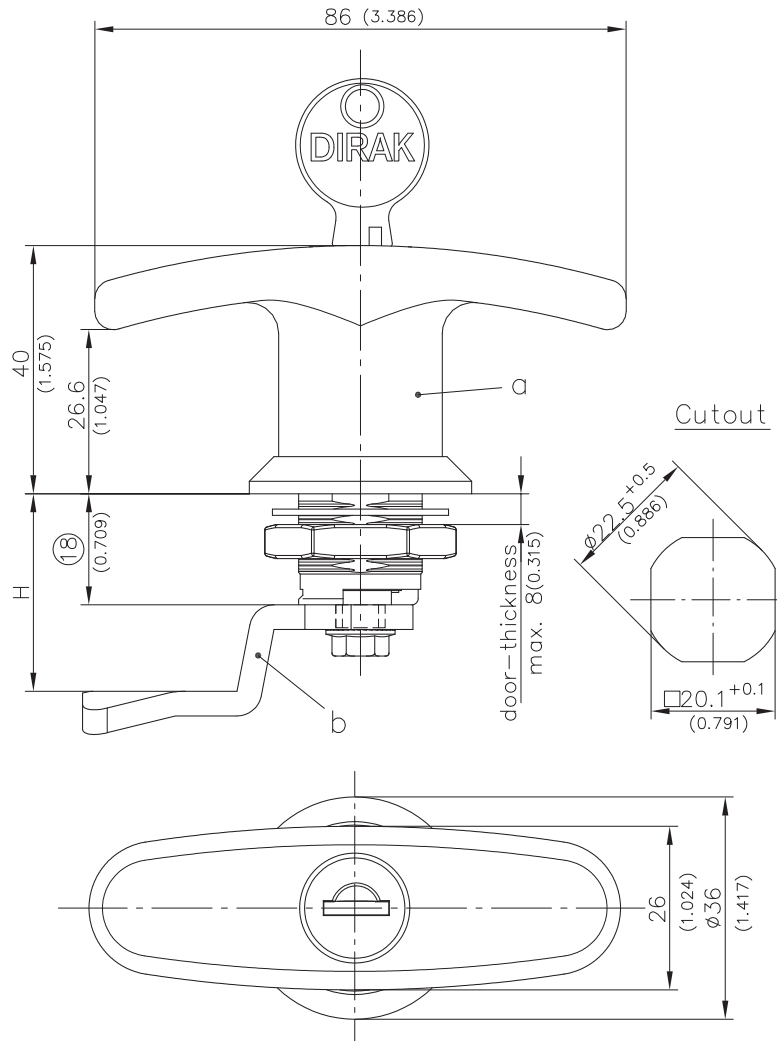


## Product Notes:

- RH and LH application
- Water and dust tight according to IP65, DIN EN 60529
- Components can be pre-assembled by DIRAK upon request
- Pre-assembled Quarter-Turn can be installed in cutout

## Material:

- **T-handle:** Zinc Die, Nickel Plated
- **Cam:** Steel, Zinc Plated
- **Other surfaces (Chrome Plated, Black) on request**



a) Quarter-turn with T-handle with plain grounding nut non locking	Part No.	See Page
Keyed different	100-9306	
Keyed alike DIRAK 1333*	100-9307	
With insert square 8**	100-9308	
	100-9309.00-00001	
b) Cam/3-point cam		01.101, 01.102, 03.44

Please order separately:

Assembling of cam	200-0001
Assembling cam 90° to handle without O-ring	200-0019

All lockable handles supplied with two keys.

\* with stainless dust-shutter

\*\* Here we have 12 types of inserts. Please contact DIRAK.